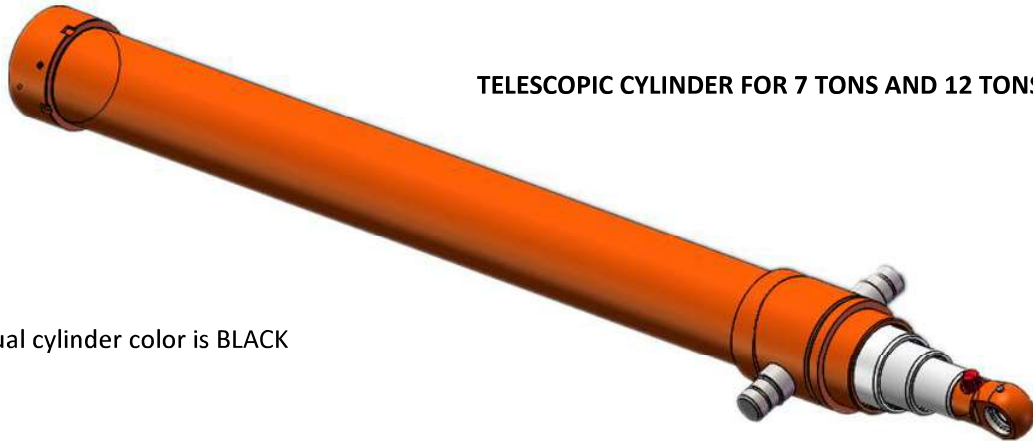


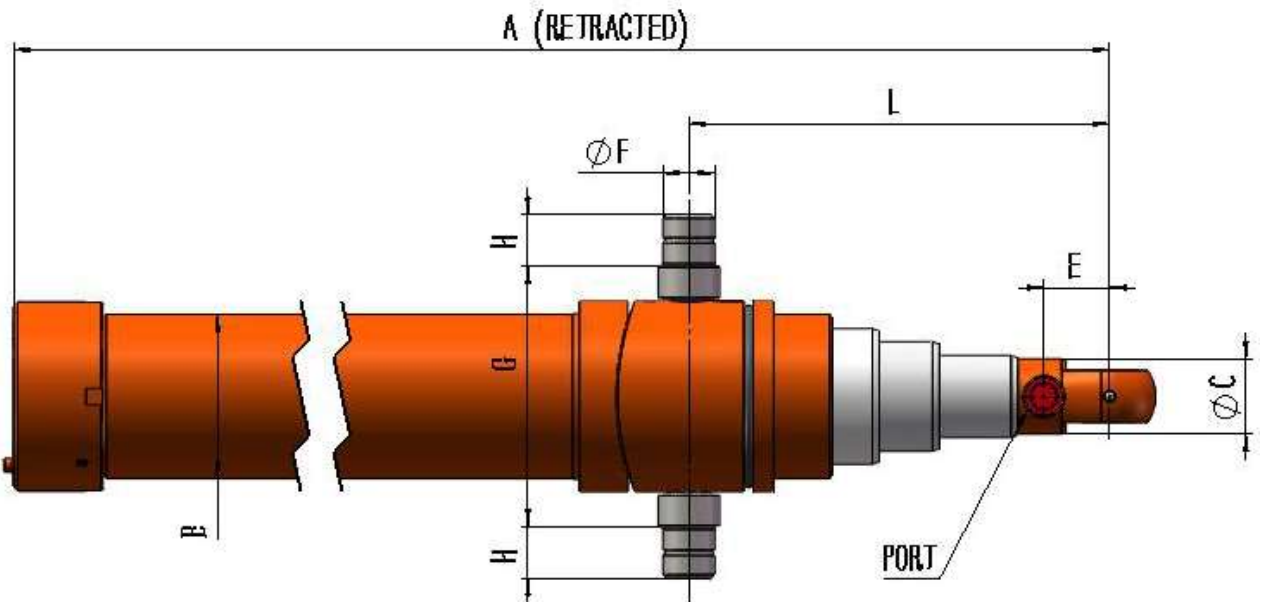
HTC

3000PSI WP



TELESCOPIC CYLINDER FOR 7 TONS AND 12 TONS INVERSE

*Actual cylinder color is BLACK



7 TONS INVERSE

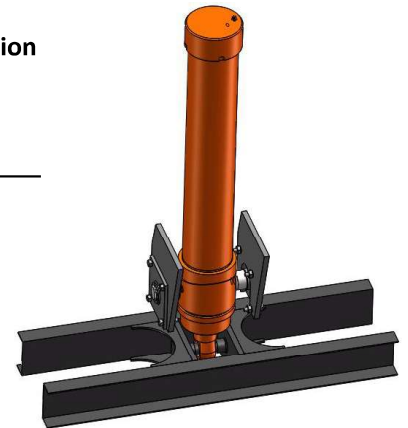
PART No.	STROKE	A	B	C	D	E	F	G	H	L	PORT	WEIGHT [Lbs]	VOLUME [Gal.]
HTC-07833-ORB	78"	35.5"	3.75"	2"	1.063"	3.0"	1.25"	6.5"	1.25"	7"	SAE #8 (3/4-16 UNF)	68	1.6
HTC-09033-ORB	90"	39.5"	3.75"	2"	1.063"	3.0"	1.25"	6.5"	1.25"	7"		75	1.8
HTC-10833-ORB	108"	45"	3.75"	2"	1.063"	3.0"	1.25"	6.5"	1.25"	7"		101	2.2
12 TONS INVERSE													
HTC-07843-ORB	78"	34.75"	4.4"	2"	1.063"	3.0"	1.5"	7.5"	1.5"	7"	SAE #8 (3/4-16 UNF)	106	2.5
HTC-09043-ORB	90"	38.75"	4.4"	2"	1.063"	3.0"	1.5"	7.5"	1.5"	7"		107	2.8
HTC-10843-ORB	108"	44.75"	4.4"	2"	1.063"	3.0"	1.5"	7.5"	1.5"	7"		132	3.4
HTC-12043-ORB	120"	48.75"	4.4"	2"	1.063"	3.0"	1.5"	7.5"	1.5"	7"		143	3.8
HTC-14443-ORB	144"	56.78"	4.4"	2"	1.063"	2.25"	1.5"	7.5"	1.5"	7"		166	4.6

HTC

3000PSI WP

HTC - 078 - 33 - ORB - 00

MODEL	Design Code
STROKE	Factory Specification
CAPACITY	PORT
33 - for 7 tons	Omit - 1/2 NPT
43 - for 12 tons	ORB - SAE#8-3/4-16UNF

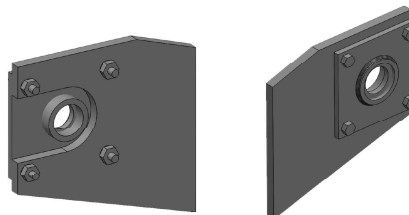
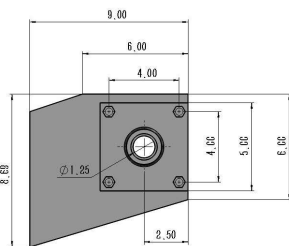


ACCESSORIES FOR TELESCOPIC CYLINDERS

MOUNTING BRACKETS

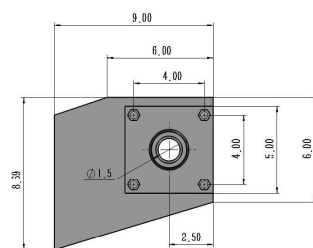
HTCS07-A

For 7 tons



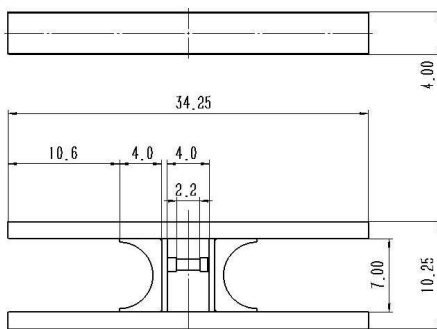
HTCS12-A

For 12 tons

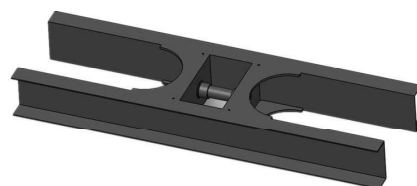


SUPPORT FRAM

For 7 and 12 tons

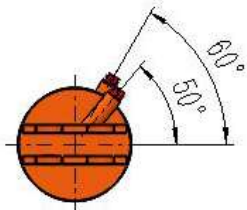
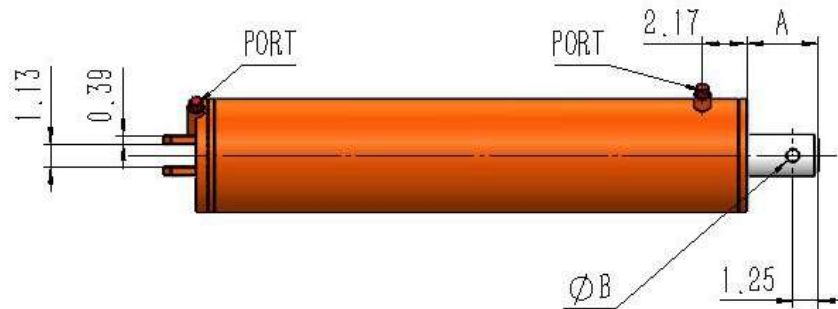
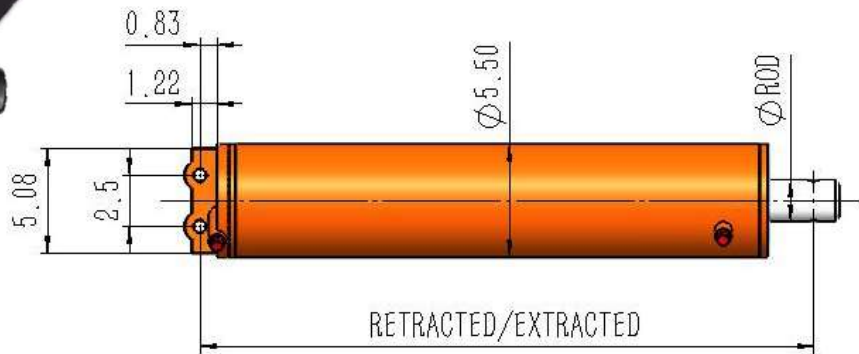
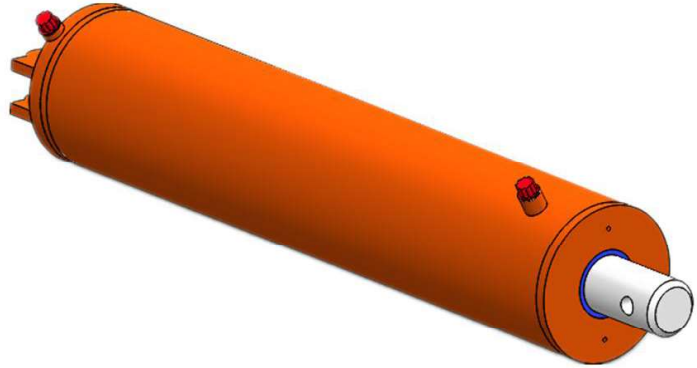


HTC SB07-A



HHT

3000PSI WP



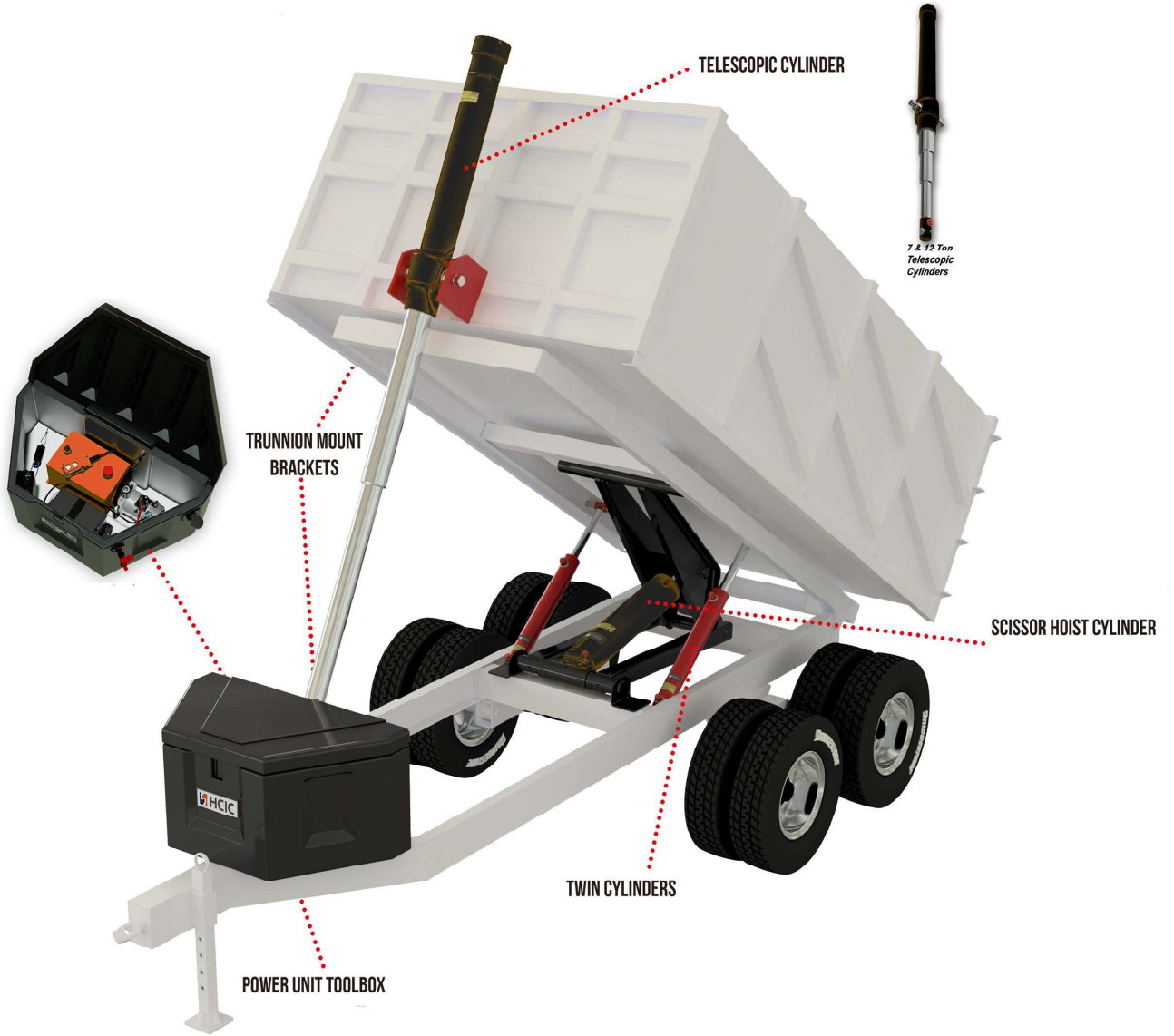
*Actual cylinder color is BLACK

MADE FOR SCISSOR HOISTS.

*All dimensions are in inches

PART No.	BORE	A	B	STROKE	ROD	RETRACTED	EXTRACTED	MAX FORCE LBS	PORT	WEIGHT [Lbs]
HHT501575	5.00	3.5	Φ0.69	15.75	Φ2	23.5	39.25	58905	SAE #6	66.1
HHT502000	5.00	3.15	Φ0.63	20	Φ2	27.5	47.5	58905		81.4
HHT502150	5.00	3.5	Φ0.63	21.50	Φ2	29.375	50.875	58905		96.8
HHT601575	6.00	3.5	Φ0.69	15.75	Φ2	23.5	39.25	84823		88.0
HHT602150	5.00	3.5	Φ0.63	21.50	Φ2	29.375	50.875	84823		101.2

DUMP TRAILER SOLUTIONS



HYDRAULIC CYLINDERS

- SINGLE ACTING
- DOUBLE ACTING
- TELESCOPIC
- TIE-ROD
- SCISSOR HOIST APPLICATIONS

HYDRAULIC POWER UNITS

- SINGLE ACTING
- DOUBLE ACTING
- CUSTOMIZED
- METAL OR PLASTIC TANK

FEATURES:

- Highest Quality Components
- Customized to the Application
- Competitive Warranty
- Reliable Performance
- Technical Support
- Integrated Solutions

DUMP TRAILER SOLUTIONS



AMERICAN CHECKERPLATE ALUMINIUM TOOLBOX
36" W x 17.75" D x 16.375" H
810200

POWER UNIT
Tank: From 1.7 Liters to 23.5 liters - Plastic or Steel
Pump: 0.8, 1.0, 1.3, 1.6, 2.1, 2.5, 3.2, 4.2, 5.8 & 8.0 cc available
Mounting: Horizontal

POWER UNIT REMOTE CONTROL
Including 20' of 16/3 Cables

BULKHEAD FITTING
310160
BULKHEAD NUT
307140

HYDRAULIC HOSE 3/8"
320XXX

BATTERY CHARGER
640120

BATTERY TRAY 7" X 10.5"
810800

MASTER SWITCH
640010

BATTERY CABLE RED, 18" LONG
610240
BATTERY CABLE BLACK, 24" LONG
610260
BATTERY CABLE RED, 24" LONG
610270

BREAK AWAY KIT
640070
STAINLESS STEEL BOLT 5/16-18 X 3"
300080
STAINLESS STEEL HEX. NUT 5/16"
307120



Telescopic Hydraulic Cylinders
7 Ton: 76in 96in 108in Stroke
12 Ton: 76in 96in 108in 120in Stroke



Hydraulic Trailer & Truck Hoist
Cylinder specifications: 5.5" bore; 16" stroke; 2" diameter rod
Mounting height: 9.6 inches
Capacity range: 7.7 - 17 tons



Hydraulic Power Unit
Motor: DC 12 & 24v,
Tank: From 1.7 liters to 23.5 liters. Plastic or Steel
Pump: 0.8, 1.0, 1.3, 1.6, 2.1, 2.5, 3.2, 4.2, 5.8 and 8.0cc
Mounting: Vertical or Horizontal
Control: 20' CABLE MANUAL REMOTE